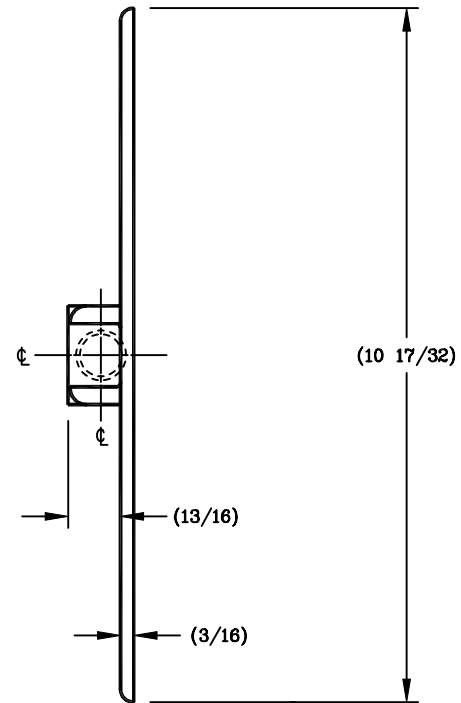


PLAN VIEW

SALCO PRODUCTS  
 IL: (630) 783-2570  
 TX: (281) 351-0274



ELEVATION VIEW



END VIEW

THIS PRINT, PROPERTY OF SALCO PRODUCTS INC.,  
 CONTAINS PROPRIETARY INFORMATION AND MUST NOT  
 BE COPIED, REPRODUCED, OR USED DETRIMENTALLY  
 TO OUR INTEREST.

DIMENSIONAL TOLERANCES UNLESS SPECIFIED	
FRACTIONAL	+/- .015
TWO PLACE .xx	+/- .010
THREE PLACE .xxx	+/- .005
ANGLES	+/- 1°

A	BRG	4-9-09	ADDED SALCO PRODUCTS PHONE #
REV.	BY	DATE	DESCRIPTION
SCALE: FULL IF D	SHEET: D	SALCO PRODUCTS INC.	
MATERIAL: POLYPROPYLENE	TITLE: KLEAN-OUT PADDLE		
SHRINK: (IF APP.)			
DUR/REF: MISC\ P850			
PART NO: P850	DRAWN BY: TJN	CHECKED BY:	DWG NO: D5292
	DATE: 11/25/92		

SALES DRAWING